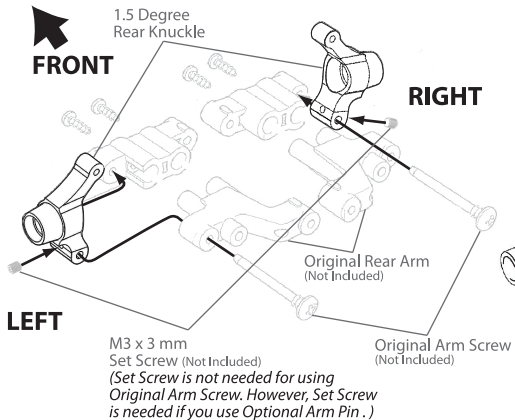


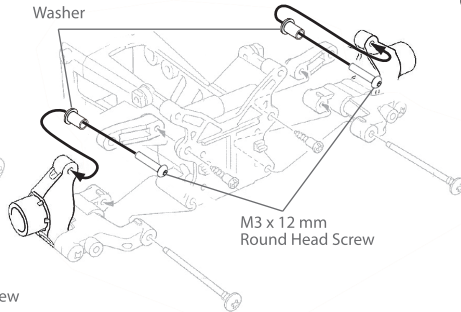


Item No.: M03-132BU/SV
Rear Hub Carrier 1.5 Deg For M03, M04, M05

Step 1



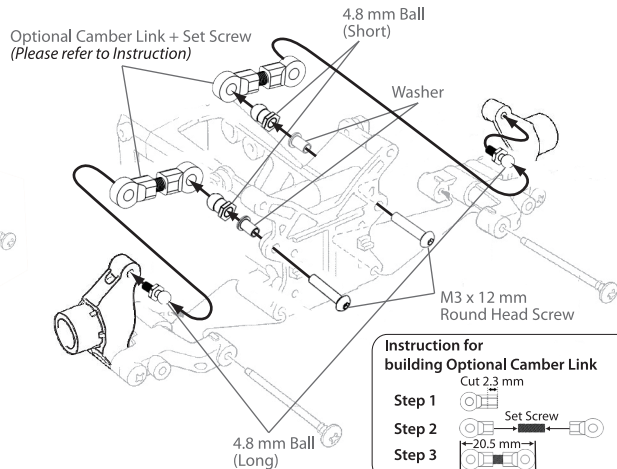
Step 2.1 (For Original Camber Link)



(#M03-132BU/SV) Check List

Parts	Qty.	Parts	Qty.
1.5 Degree Rear Knuckle	2	M3 x 12 mm Round Head Screw	2
4.8 mm Ball (Long)	2	Optional Camber Link	4
4.8 mm Ball (Short)	2	Set Screw	2
		Washer	2

Step 2.2 (For Optional Camber Link)



Instruction for building Optional Camber Link

Cut 2.3 mm

Step 1

Step 2

Step 3

Remark: We do not have any legal responsibilities for any loss of users due to any problems caused by their misused, damaged, lost, stolen or alike circumstances.



Always read instructions before assembly. Children should have instructions read by supervising adult. Keep out of reach of small children. Children must not be allowed to put any parts in their mouths, or pull vinyl bag over their heads.

Please visit our website for more information and product support:

www.yeahracing.com